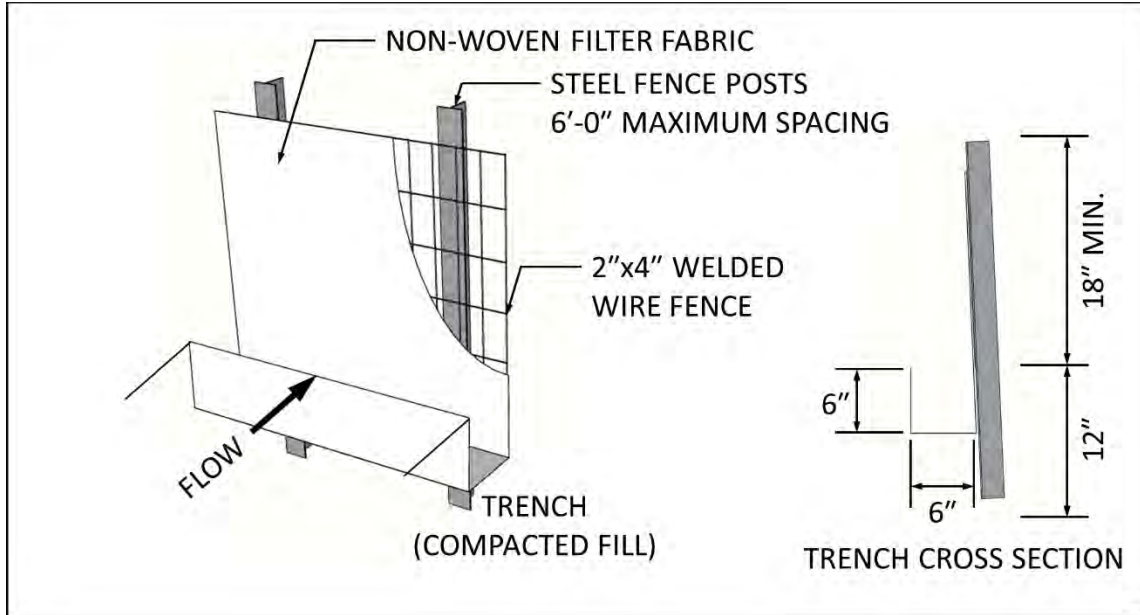


EXHIBIT D – SILT FENCE DETAIL



1. **INSTALL STEEL POSTS THAT SUPPORT THE SILT FENCE ON A SLIGHT ANGLE TOWARD THE ANTICIPATED RUNOFF SOURCE. POSTS MUST BE EMBEDDED A MINIMUM OF 12 INCHES.**
2. **TRENCH IN THE TOE OF THE SILT FENCE WITH A SPADE OR MECHANICAL TRENCHER SO THAT THE DOWNSLOPE FACE OF THE TRENCH IS FLAT AND PERPENDICULAR TO THE LINE OF THE FLOW. WHERE FENCE CAN NOT BE TRENCHED INTO THE SURFACE, (E.G., PAVEMENT), WEIGHT THE FABRIC DOWN WITH ROCK OR 1" X 4" LUMBER SECURELY FASTENED TO THE SURFACE. PLACE ON THE UPSTREAM SIDE TO PREVENT FLOW UNDER THE FENCE.**
3. **THE TRENCH MUST BE A MINIMUM OF 6 INCHES DEEP AND 6 INCHES WIDE TO ALLOW FOR THE FILTER FABRIC TO BE LAID IN THE GROUND AND BACKFILLED WITH COMPACTED MATERIAL.**
4. **FASTEN THE FILTER FABRIC SECURELY TO THE WOVEN WIRE BACKING, AND IN TURN FASTEN IT SECURELY TO THE STEEL FENCE POST.**
5. **REMOVE ACCUMULATED SILT WHEN IT REACHES A DEPTH OF 6 INCHES, DISPOSE OF THE SILT ON AN APPROVED SITE AND IN SUCH A MANNER THAT IT WILL NOT CONTRIBUTE TO ADDITIONAL SILTATION.**
6. **INSPECT THE SILT FENCE WEEKLY AND REPAIR OR REPLACE PROMPTLY IF NEEDED.**
7. **WHEN THE SITE IS COMPLETELY STABILIZED, REMOVE THE SILT FENCE.**