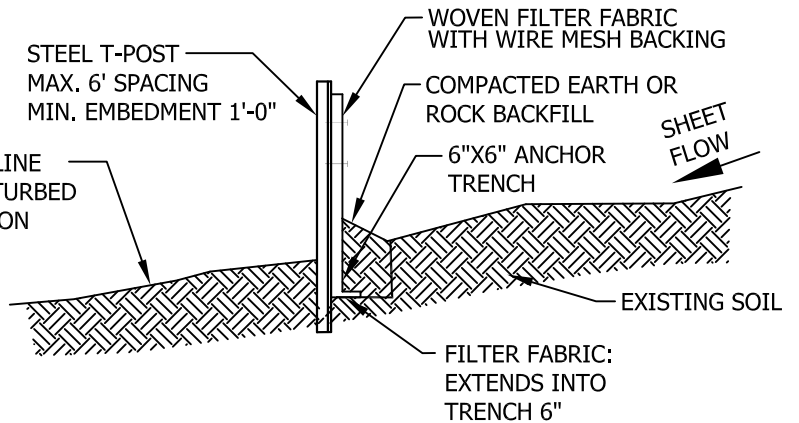
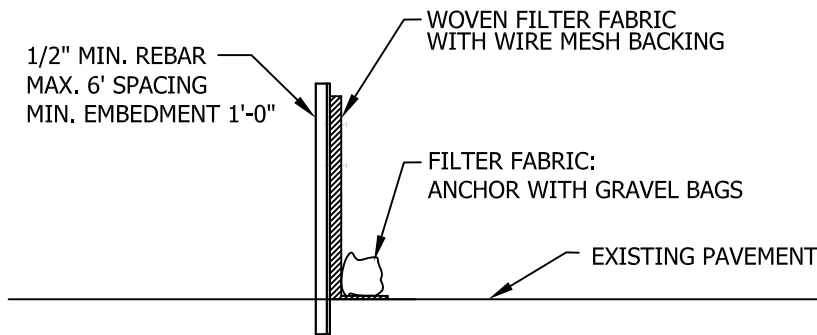


FRONT VIEW



SOIL DETAIL SECTION



PAVEMENT DETAIL SECTION

USE ORANGE GRAVEL BAGS AT EACH CORNER (SECURES WIRE MESH AND FILTER FABRIC AT INLET OPENING AND SERVES AS VISUAL CUE FOR PEDESTRIANS)



LEAVE 2 INCH GAP BETWEEN TOP OF FABRIC AND TOP OF INLET OPENING (SERVES AS SPILLWAY)

STORM WATER INLET

CONTACT UTA ENVIROMENTAL HEALTH & SAFETY OFFICE FOR FURTHER INFORMATION AT 817-272-2185



STORM WATER PROTECTION
SILT FENCE REQUIREMENTS
SOIL AND PAVEMENT DETAILS

SWPPP

JULY 21, 2010
 SHEET: 1 OF 1